

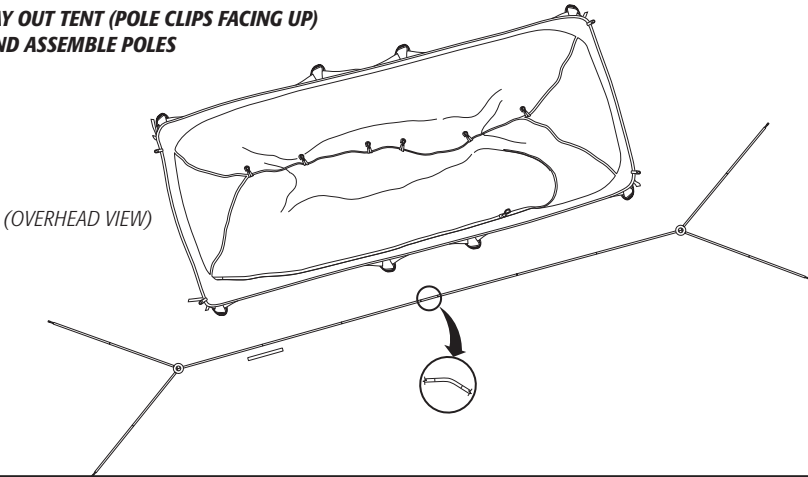


For German, Spanish, Italian, Dutch, and Japanese instructions, please go to thermarest.com/cots

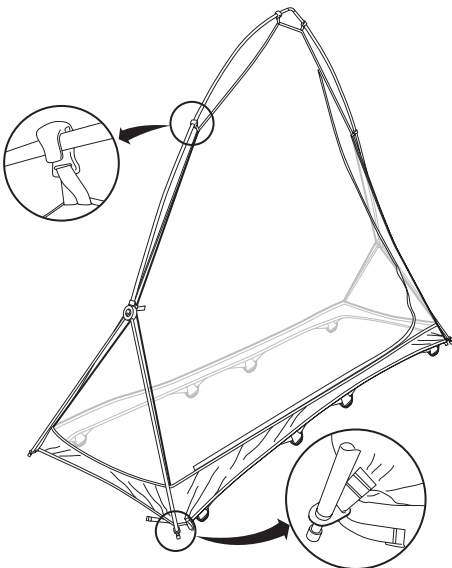
LUXURYLite[®] COT BUG SHELTER

Set Up Instructions

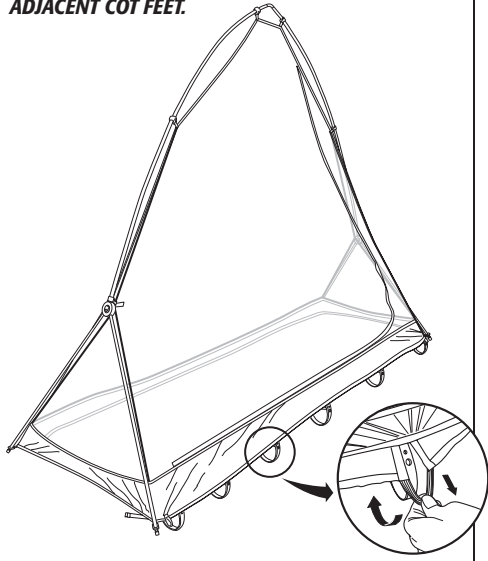
**LAY OUT TENT (POLE CLIPS FACING UP)
AND ASSEMBLE POLES**



**INSERT POLE TIPS INTO CORNER GROMMETS
AND HOOK CLIPS OVER POLES**



**PLACE SHELTER ON PRE-ASSEMBLED COT, SECURE
CORNERS AND STRETCH ELASTIC LOOPS AROUND
ADJACENT COT FEET.**



© 2015 Cascade Designs, Inc.
4000 1st Ave. South | Seattle, WA 98134 U.S.A.
1-206-505-9500 | art # 81-571

THERMA-REST[®]
thermarest.com